

Performer SZ 240 A4ABA

Specifications

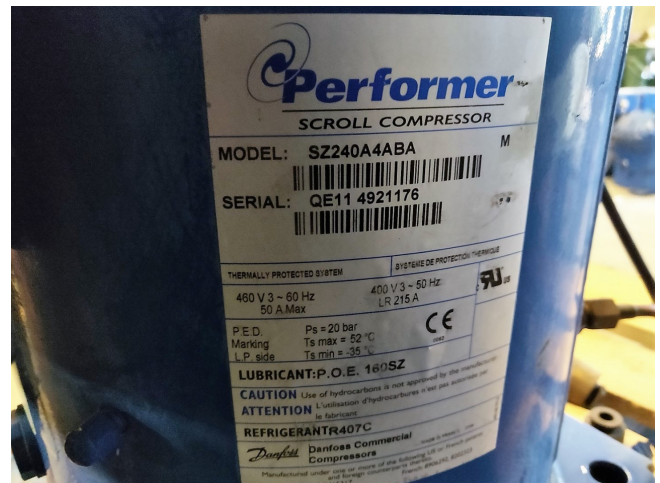
Бренд	Performer
Тип	SZ 240 A4ABA
Хладагент	Freon
Refrigerant type	R407 C or other types
кВт at +10°C/+40°C	81,8
kW at 0°C/+40°C	55,8
kW at -5°C/+40°C	45,3
кВт at -10°C/+40°C	36,4
кВт at -20°C/+40°C	22,4
Размеры	350x350x360 mm (LxWxH)
Stock	4



Description

Used Performer SZ 240 A4ABA

Used Performer SZ240A4BA Scroll compressor(s/n: QE11 4921176) // 400V 3 ~ 50 Hz



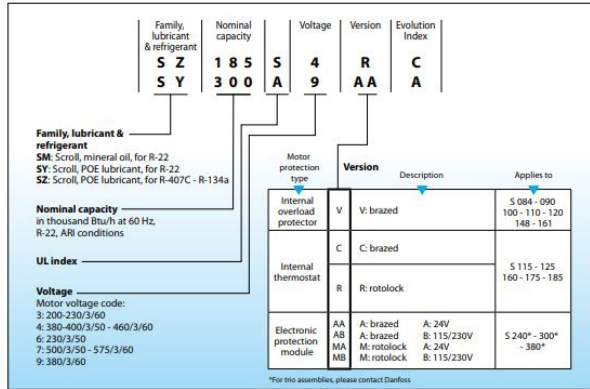


COMPRESSOR MODEL DESIGNATION

Performer® scroll compressors are available both as single compressors and as tandem units. The example below presents single compressor nomenclature.

For tandem assemblies, please refer to the Performer® Parallel Application Guidelines documentation.

Nomenclature



Connection details

Model	SM/SZ 084 - 090 - 100 110 - 120 - 148 - 161	SM/SZ 115 - 125 - 160 - 175 - 185	SY/SZ 240 - 300	SY/SZ 380	
Version	V	R	C	MA MB	AA AB
Suction and discharge connection	brazed	rotolock	brazed	rotolock	brazed
Oil sight glass	threaded	threaded	threaded	threaded	threaded
Oil equalization connection	3/8" flare	3/8" flare	3/8" flare	1/2" flare	1/2" flare
Oil drain connection	-	1/4" NPT	1/4" NPT	1/4" NPT	1/4" NPT
Low pressure gauge port (schraeder)	1/4" flare	1/4" flare	1/4" flare	1/4" flare	1/4" flare